

THE INSPIRATION SERIES

THE RESIDENTIAL METAL ROOFING COLLECTION BY VICWEST



PRESTIGE

Installation Manual

vicwest.com



Vicwest Building Products
Building for Tomorrow

THE INSPIRATION SERIES

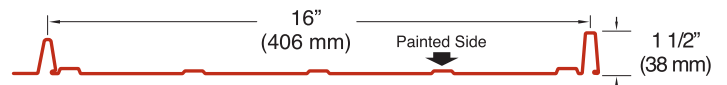
THE RESIDENTIAL METAL ROOFING COLLECTION BY VICWEST

Table of Contents	Page(s)
Installation Guide for Profile with Hidden Fasteners	3
Installation Steps	4, 5
Prestige Series Moldings	6, 7
Other Accessories	8
Trims & Accessories	9
Eave Starters	10
Gableboards	11
Wall Flashings	11
Valleys	12
Wall Finishing	12
Hips	13
Ridges	13
Mansard	14
Dektite® Combo Flashing	15
Warranty	16

Installation Guide for Profile with Hidden Fasteners

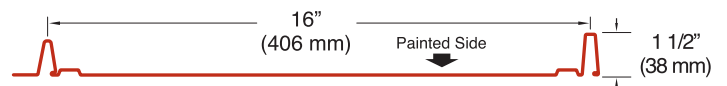
Enrich your next project with Prestige, our elegant batten-style roofing system. In addition to its distinctive opulent look, it will add dynamism and value to your construction. Prestige is available in a rich and sophisticated colour palette (including natural and metallic finishes) that will add panache to the architectural elegance of your home. The Prestige line should be installed **on a solid substrate**. If you wish to install it on laths, please contact Vicwest's technical department. Moreover, it can be installed with or without hidden fasteners, and is available in 24 or 26 gauge steel.

Prestige 16" with intermediate ribs

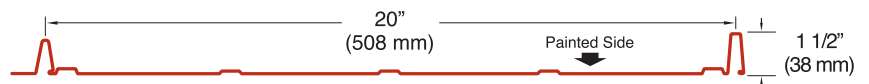


*Prestige 16" without intermediate ribs

**Only available in Quebec, this product without intermediate ribs is prone to oil canning.*

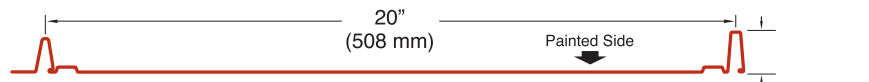


Prestige 20" with intermediate ribs

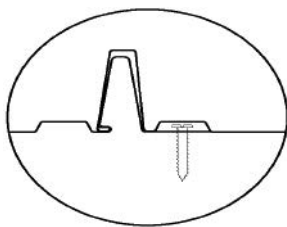


*Prestige 20" without intermediate ribs

**Only available in Quebec, this product without intermediate ribs is prone to oil canning.*



This installation guide will easily lead you step-by-step through to the completion of your roof construction or renovation works.



Recommended side joint

Storage

The Prestige products and their accessories must be stored in a dry, ventilated area and protected from moisture and chemicals.

Recommended Tools

- Drill
- Tape measure
- Vicwest TurboShear
- Caulking gun
- Chalk line
- Scaffolding
- Metal shears
- Bending tools
- Square

Work Safety

Be sure to wear appropriate safety and fall protection equipment as well as soft-soled shoes. Soft-soled shoes will better grip the profile surface while protecting the painted finish. When you have no other choice than stepping on the profile, place your feet between the intermediate corrugations (or on the laths if applicable).

For more information, visit www.vicwest.com or contact one of our sales representatives.

THE INSPIRATION SERIES

THE RESIDENTIAL METAL ROOFING COLLECTION BY VICWEST

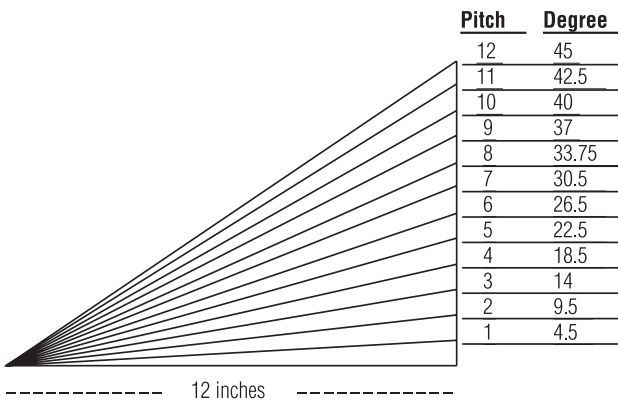
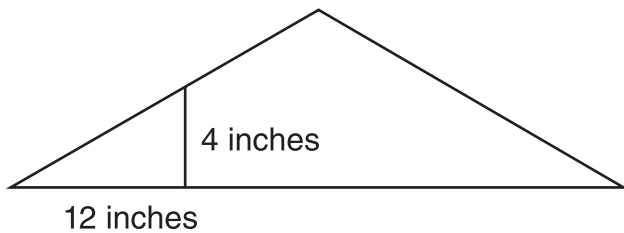
Step 1

Draw a diagram of the structure you will be applying the Prestige roofing panels on to.

To accurately estimate and order Vicwest products, all exact measurements must be listed on the drawing. Please include the length of all valleys and hips, dormer window dimensions, length of ridges and rafters, as well as the dimensions and location of chimneys, skylights and ventilation pipes. It is also important to note the approximate roof slope, as flashings and ventilation pipes must absolutely adapt to the roof features.

To determine the roof slope, measure a 12-inch width from the gable end and draw a mark. From this point, measure the roof vertical height. These measurements will indicate the roof slope. For example, 4 inches high by 12 inches wide gives a 4:12 slope

Ask your Vicwest distributor to estimate your needs.

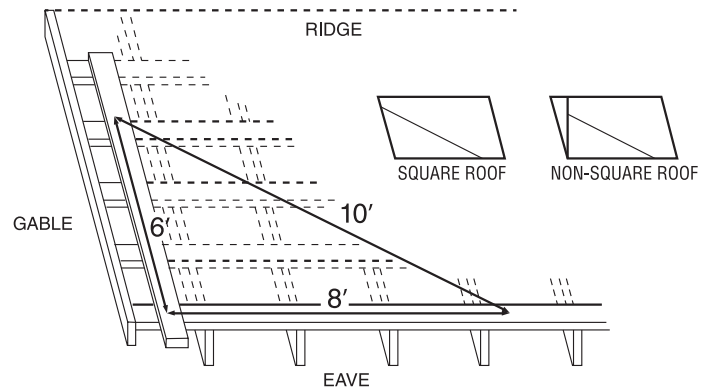


Step 2

Preparation

- Plan the sheathing installation and organize the construction site so you can receive delivery of the material.
- Check the roof squareness. Draw a mark on the eave at an 8-foot distance from a corner. Draw a second mark on the gable edge at a 6-foot distance from the eave. If the distance between the two is 10 feet, the roof is square at this corner. Repeat for all the roof corners.
- During installation, make sure that the total width of the panels is a multiple of 20" or 16" coverage profile selected. Avoid stretching panels to adjust them; this may cause local buckling on the sheet.
- Check and adjust the roof deflection before installation. Attach a wire between the top and bottom of the roof to ensure its composure. It must be taut.

Note: The following guidelines assume that the roof is square. Otherwise, trim the panel along the gable so that it follows the deflection. Then install a gable flashing to minimize visual impact.



THE INSPIRATION SERIES

THE RESIDENTIAL METAL ROOFING COLLECTION BY VICWEST

Step 3

Once the Vicwest panels and accessories are delivered, you can install the roof. Replace or repair any damaged or deteriorated fascia boards. Check the integrity of the roof structure, and repair damaged parts.

For the Prestige profile, moldings and underlayment are installed simultaneously.

Step 4

Centre and mark the locations of panels throughout the building to create a balanced visual effect at the end of each slope.

Note: For both ends of each slope, the panel must be cut lengthwise to fit the fascia fastening system.

Step 5

Begin laying the sheets, making sure they are square. Refer to the page inset illustrating the overlap joint installation procedure.

Note: The overlapping joints must be oriented on the opposite side of prevailing winds.

NB Always consult the applicable building code before starting work.

THE BUILDING CODE REQUIRES PROPER VENTILATION; AN IMPROPER VENTILATION IS THE LEADING CAUSE OF ROOF SPACE CONDENSATION.

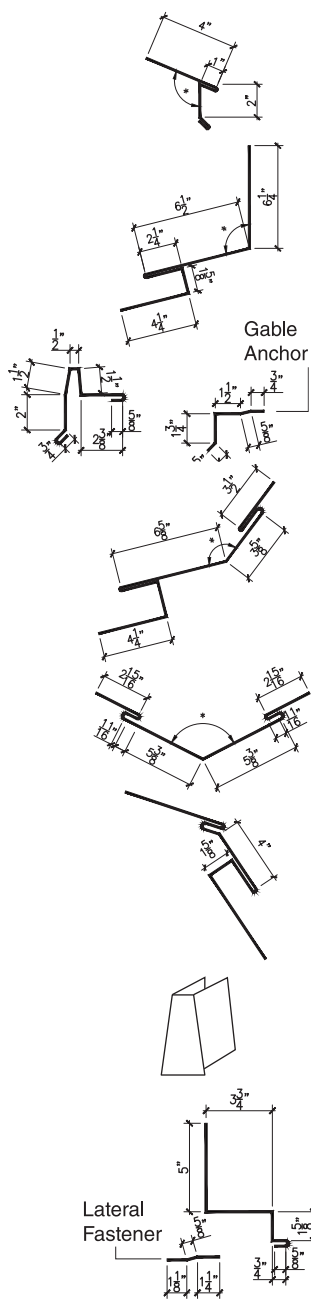
Vicwest offers different types of vents. Refer to the Building Code or a specialist to determine the appropriate accessory for your building.

THE INSPIRATION SERIES

THE RESIDENTIAL METAL ROOFING COLLECTION BY VICWEST

Prestige Series Moldings

TRIM/ACCESSORY	DESCRIPTION
Starter with Fasteners S-125	
Endwall	
A-type Gable Cap	
Slope Change	
24" Standard Valley with Open Ends	
Gambrel Hip	
Rib End-cap	
Flashing for Side Wall	



THE INSPIRATION SERIES

THE RESIDENTIAL METAL ROOFING COLLECTION BY VICWEST




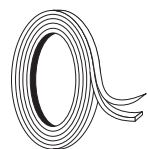

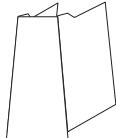


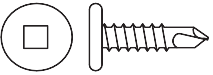
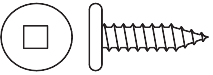

Prestige Series Moldings

TRIM/ACCESSORY			DESCRIPTION
Z Field Notched Closure Strip			
Notched Closure Strip			<p>Available in 16" or 20" 120" length to be notched on site.</p>
Field Notched Ridge Cap / Hip Cap			
FV-8 Ridge / Hip Cap			
FR Ridge Cap			<p>Pre-painted or Galvalume™ 10'-0" (3048 mm)</p>
Standard Endwall Flashing			<p>Pre-painted or Galvalume™ 10'-0" (3048 mm)</p>
Standard Sidewall Flashing			<p>Pre-painted or Galvalume™ 10'-0" (3048 mm)</p>
Type B Valley			<p>Pre-painted or Galvalume™ 10'-0" (3048 mm)</p>
Standard Gambrel Trim			

THE INSPIRATION SERIES

THE RESIDENTIAL METAL ROOFING COLLECTION BY VICWEST

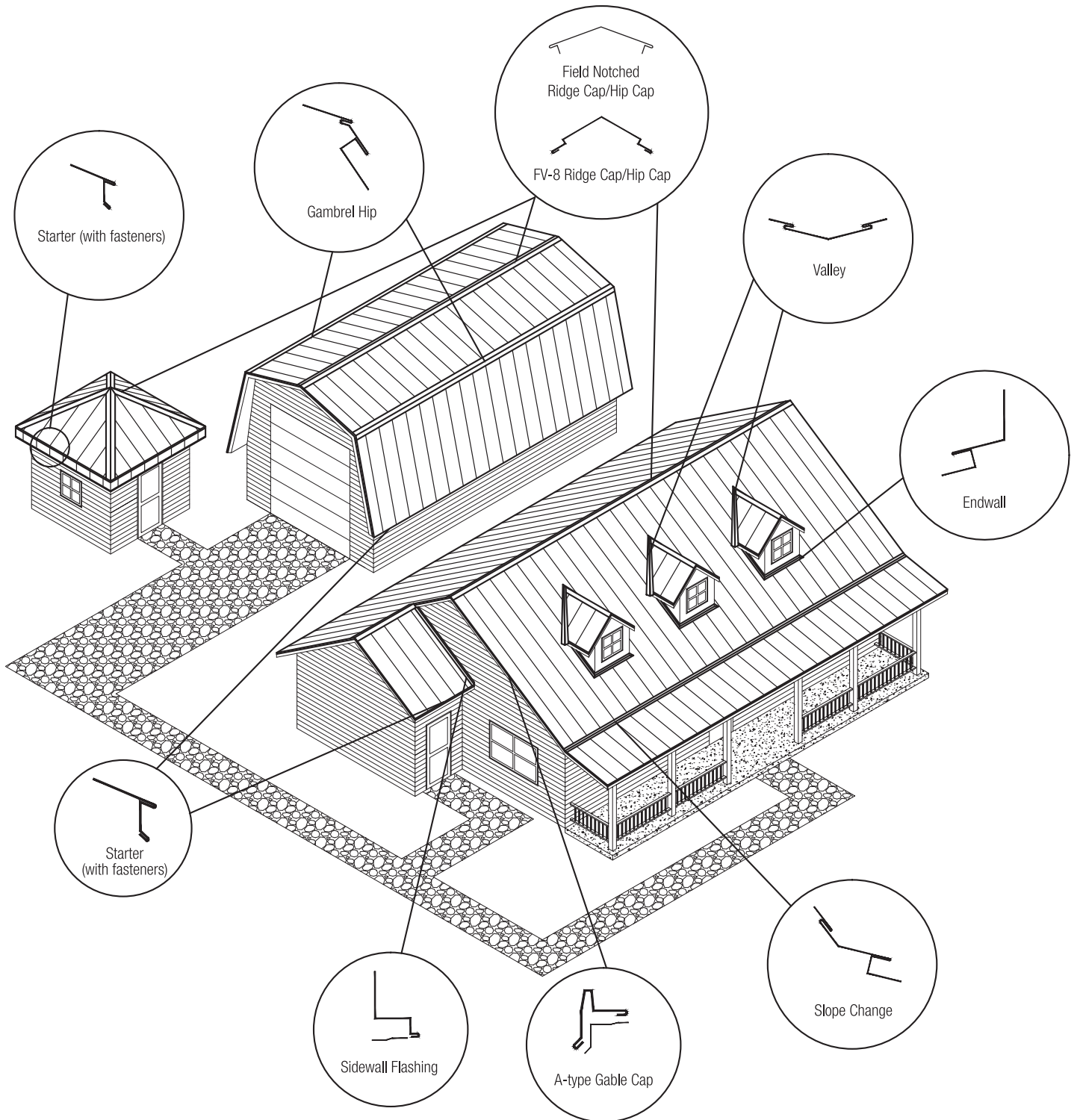
Other Accessories

		DESCRIPTION
Folding Tool		
Vicwest Synthetic Underlayment		48" x 250' roll covers 1000 sq. ft.
*Vicwest Self Adhering Underlayment		36" x 66.7' covers 200 sq. ft.
Metal Building Tape		1/8" x 1/2" x 25' long 1/16" x 1/2" x 50'0" long
Dektite® Combo Flashing		
Rib End Cap (Metal Rib End Cap)		Polycarbonate
Closure Strip (Prestige Closure)		
Sealant		Colour Matched
#12 Pancake Head Screws	 	#12 x 1" (25.4 mm)
Vented Foam Closures		Large Tab (for use above profile)

THE INSPIRATION SERIES

THE RESIDENTIAL METAL ROOFING COLLECTION BY VICWEST

Trims & Accessories

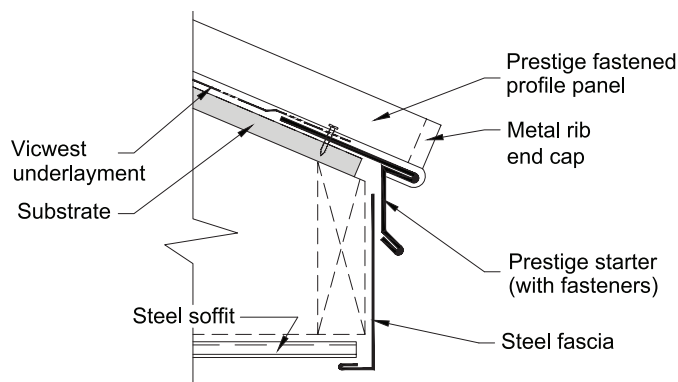


Eave Starters

Prestige Starter (with Hidden Fasteners)

1. Install the Prestige starter molding with fasteners.
2. Install the Vicwest underlayment.
3. Provide for an excess in the panel of 1 inch at the molding nose.
4. Prepare the Prestige profile by folding in on itself only the flat part extending one inch from each panel to allow the fitting on the nose of the starter molding; then perform the installation.
5. Cut the rib excess after folding the end of the molding nose.
6. Close the bottom of the sheet with the metal rib end cap and sealant.

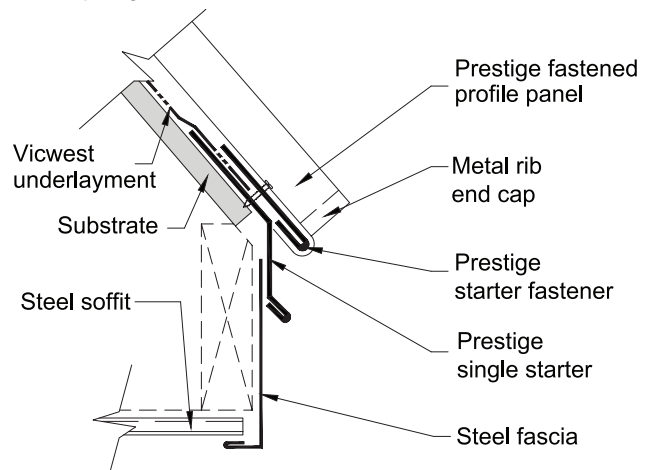
For a 12:12 maximum slope



Prestige Single Starter (with Hidden Fasteners)

1. Install the Prestige single starter molding.
2. Install the Vicwest underlayment.
3. Install the Prestige starter fastener on the Prestige single starter molding, and leave about 1" protruding from the starter molding.
4. Prepare the Prestige profile so it can interlock on the starter molding nose and install it.
5. Plan to leave the panel exceed 1 inch in the end area of the moulding.

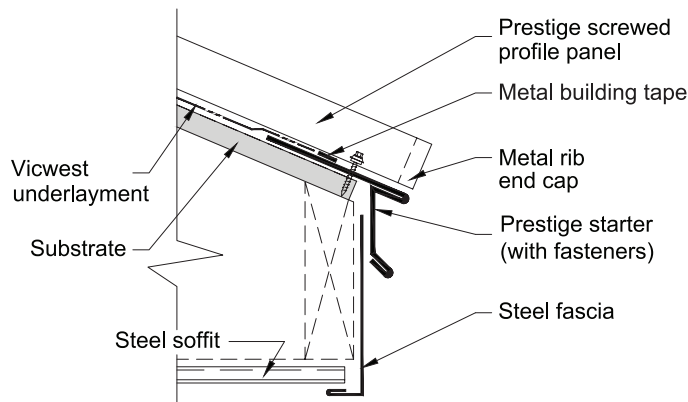
For slopes greater than 12:12



Prestige Starter (with Exposed Fasteners)

1. Install the Prestige starter molding with fasteners.
2. Install the Vicwest underlayment.
3. Install 1/8" x 1/2" metal building tape or a sealant bead on the entire length of starter molding.
4. Install the Prestige profile by aligning it with the end of the molding nose.
5. Apply two (2) 1" #9 screws with washers on the metal building tape (or sealant bead) at the bottom of each sheet, between the two (2) central ribs.
6. Close the bottom of the sheet with the metal rib end cap and sealant.

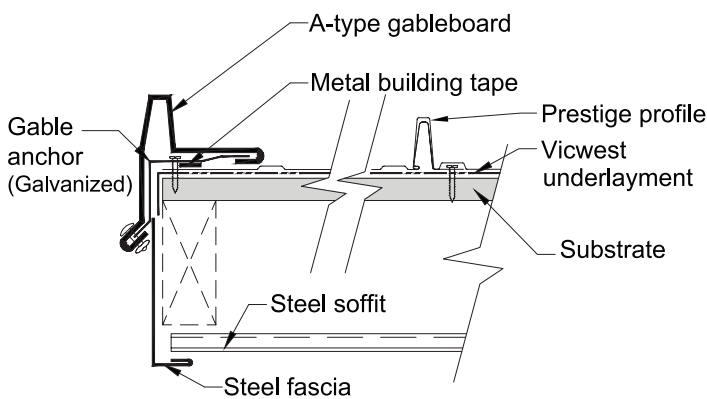
For a 12:12 maximum slope



Gableboards

Prestige A-Type Gableboard

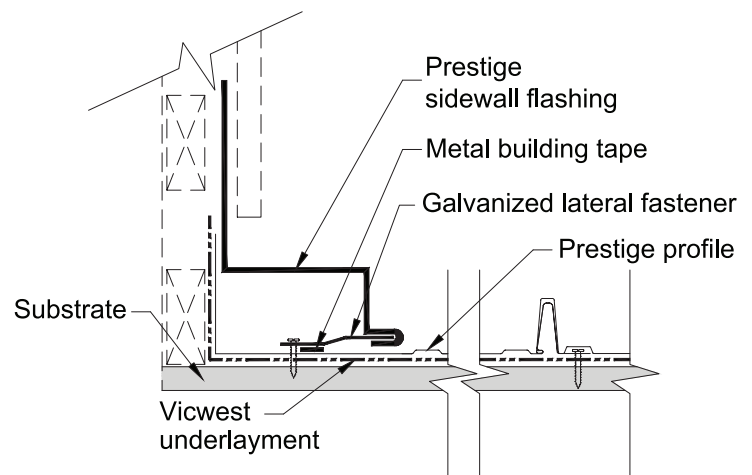
1. Install the Vicwest underlayment.
2. Install a first Prestige profile sheet on the gable edge with the first rib cut beforehand.
3. Install 1/16" x 1/2" metal building tape or a sealant bead along the entire length of the gableboard.
4. Install the galvanized steel fastener on the gableboard on the tape or sealant joint by using screws near the rake fascia end.
5. Fit the Prestige A-type gableboard molding in the galvanized steel fastener and lock the molding using rivets or stitch screws.



Wall Flashings

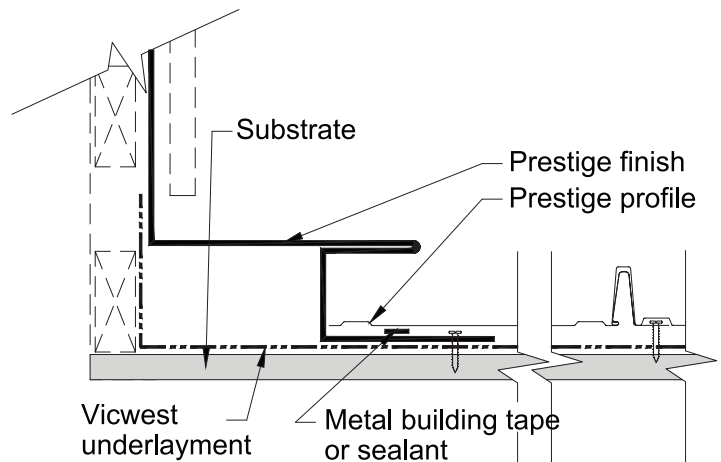
Prestige Sidewall Flashing (with Hidden Fasteners)

1. Install the Vicwest underlayment and extend its installation to at least 4" up the wall.
2. Install the Prestige profile.
3. Install 1/8" x 1/2" metal building tape or a sealant bead approximately 3" from the wall.
4. Install the galvanized-steel flashing fastener on the tape (or sealant) so as to interlock the sidewall flashing molding.
5. Install the sidewall flashing molding by fitting it to the lateral fastener and proceed to fastening sidewall molding to the wall.



Wall Flashing with Prestige Finish (with Exposed Fasteners)

1. Install the Vicwest underlayment and extend its installation to at least 4" on the wall.
2. Install the pre-bended Prestige finish molding at 90°. Fasten it to the roof and the wall.
3. Install 1/8" x 1/2" metal building tape or a sealant bead in the finish molding.
4. Install the Prestige profile at the bottom of the Prestige finish molding.



THE INSPIRATION SERIES

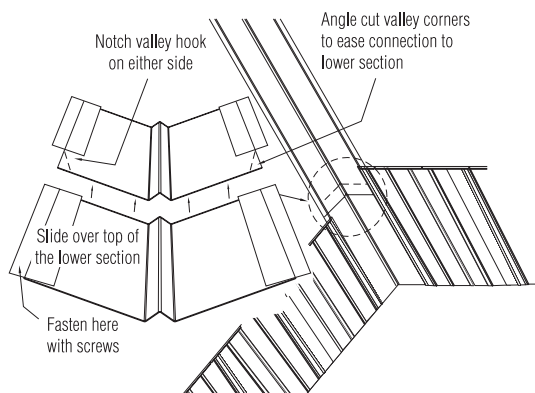
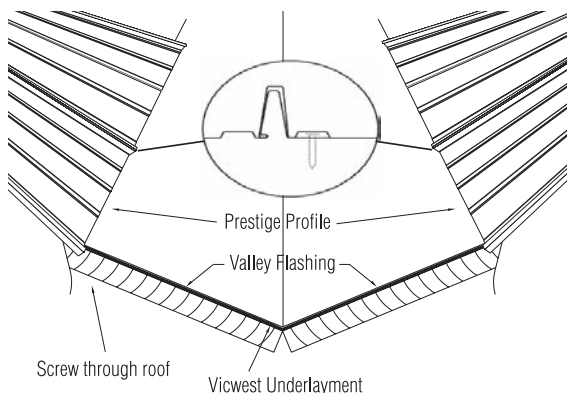
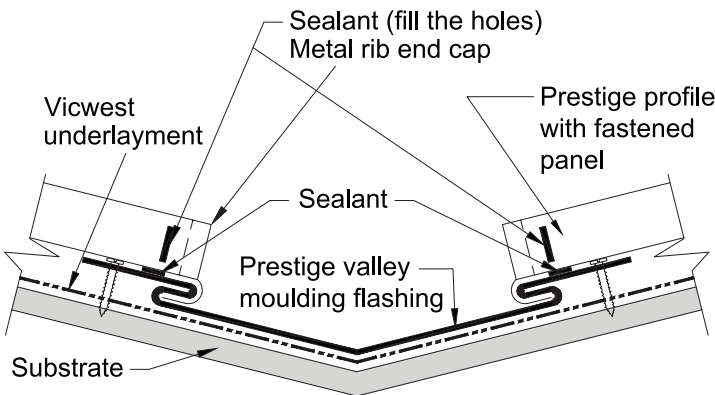
THE RESIDENTIAL METAL ROOFING COLLECTION BY VICWEST

Valleys

*** The longer your valley will be, the larger your molding should be ***

Prestige Valley (with Hidden Fasteners)

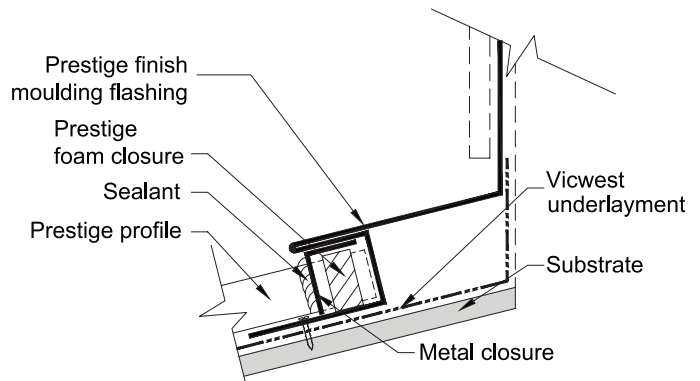
1. Install the Vicwest underlayment.
2. Install the Prestige valley molding and fasten it to the roof.
3. Apply a sealant bead on the end of molding double fold.
4. Cut the profile sheets at the right angle and make a fold so it can be interlocked.
5. Install the Prestige profile on the roof; insert the sheet end fold in the double fold of the Prestige valley.
6. Apply a sealant in each cavity and insert a metal rib end cap.



Wall Finishing

Prestige Wall Finish (Standard)

1. Install the Vicwest underlayment and extend its installation to at least 4" on the wall.
2. Install the Prestige finish molding and fasten it to the roof and wall.
3. Install the Prestige profile in the Prestige finish.
4. Insert the closure strip at the bottom of the molding. Install by fastening the 16" or 20" (as appropriate) metal closure and seal the outline with a sealant.

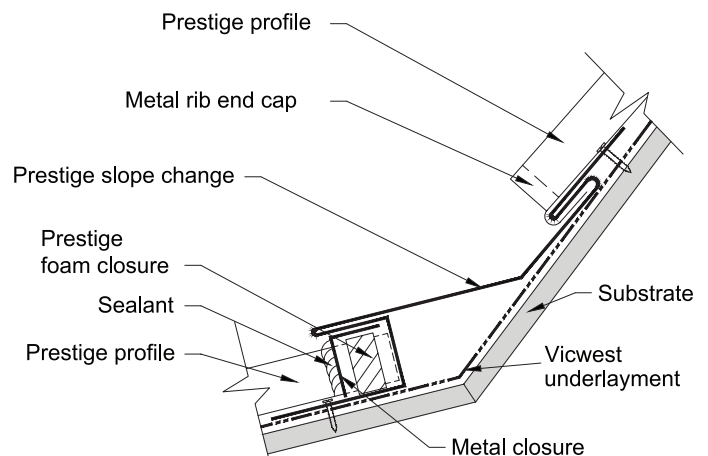


Slope Change

*** For installation on a masonry wall, contact the technical department ***

Prestige Slope Change (with Hidden Fasteners)

1. Install the Vicwest underlayment.
2. Install the Prestige slope-change molding and fasten it to the roof.
3. Prepare a panel so that it interlocks on the roofing top and install it. (Plan an additional 1 inch before folding).
4. Install the Prestige profile on the lower roofing by inserting it into the molding.
5. Insert the closure strip at the bottom of the molding. Install by clamping the 16" or 20" (as appropriate) metal closure and seal the outline with a sealant.



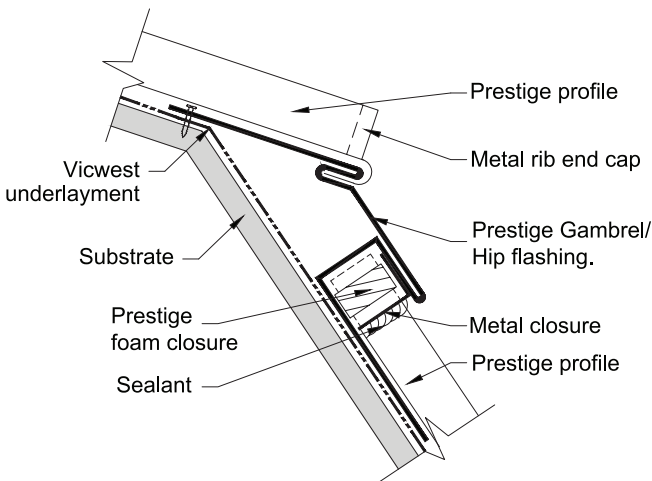
THE INSPIRATION SERIES

THE RESIDENTIAL METAL ROOFING COLLECTION BY VICWEST

Hips

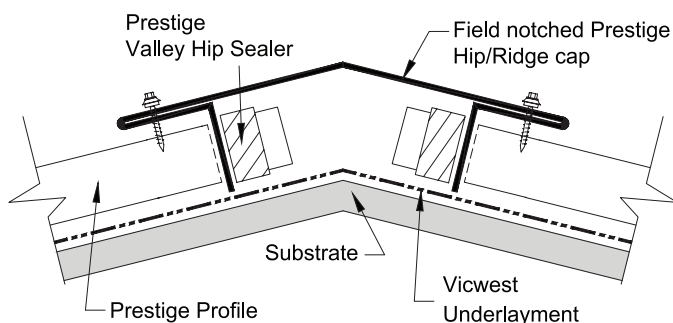
Prestige Hip (with Hidden Fasteners)

1. Install the Vicwest underlayment.
2. Install the Prestige hip molding and fasten it to the roof.
3. Prepare a panel so that it interlocks on the upper part of the roof and install it. (Plan an additional 1 inch before folding).
4. Install the Prestige profile on the lower roof, in the molding.
5. Insert the closure strip at the bottom of the molding. Install by clamping the 16" or 20" (as appropriate) metal closure and seal the outline with a sealant.



Field Notched Ridge Cap/Hip Cap

1. Install the Vicwest underlayment.
2. Install the hip/valley foam sealer up both sides of hip on profile keeping close to center.
3. Install the Prestige Field Notched Hip/Ridge cap by marking the rib location on the bottom leg. Notch out cap with tin snips so cap sits flush with profile below.
4. Fasten with a pre-painted screw on every rib of profile.
5. Seal the outline with a sealant.

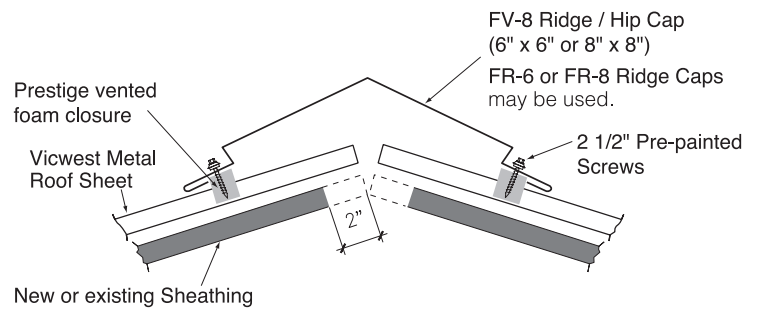


Ridges



Prestige Ridge

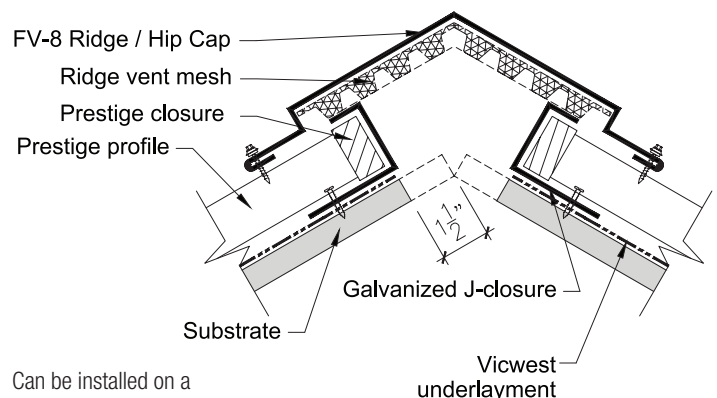
1. Install the Vicwest underlayment.
2. Keep your roof sheet back 2" from the ridge line.
3. Peel paper from glue line on vented foam closure.
4. Place vented closure on panel.
5. Install ridge cap and centre on both slopes of roof and fasten with a pre-painted screw on every rib of profile.



FV-8 Ridge / Hip Cap (Standard)

1. Starting from the Gable edge, a long length of ridge line, cut open into roofing substrate (sheathing) at no more than 1 1/2" per each side of ridge (required venting area).
2. Install the Vicwest underlayment.
3. Fasten a continuous Vicwest galvanized J molding on each side of the cut open venting area of plywood (sheathing)
4. Install the Prestige profile. Then install the closure strip at the bottom of the J-molding.
5. Install the vent roll on the J-moldings and fasten the FV-8 molding on the profile ribs, centered on the gable. Provide extra excess on ridge/hip cap at the fascia/gable edges in order to fold the molding ends as a cap.

Vicwest offers different types of vents. Refer to the Building Code or a specialist to determine the appropriate accessory for your building.



Can be installed on a 6:12 slope maximum
** Exposed screws **

THE INSPIRATION SERIES

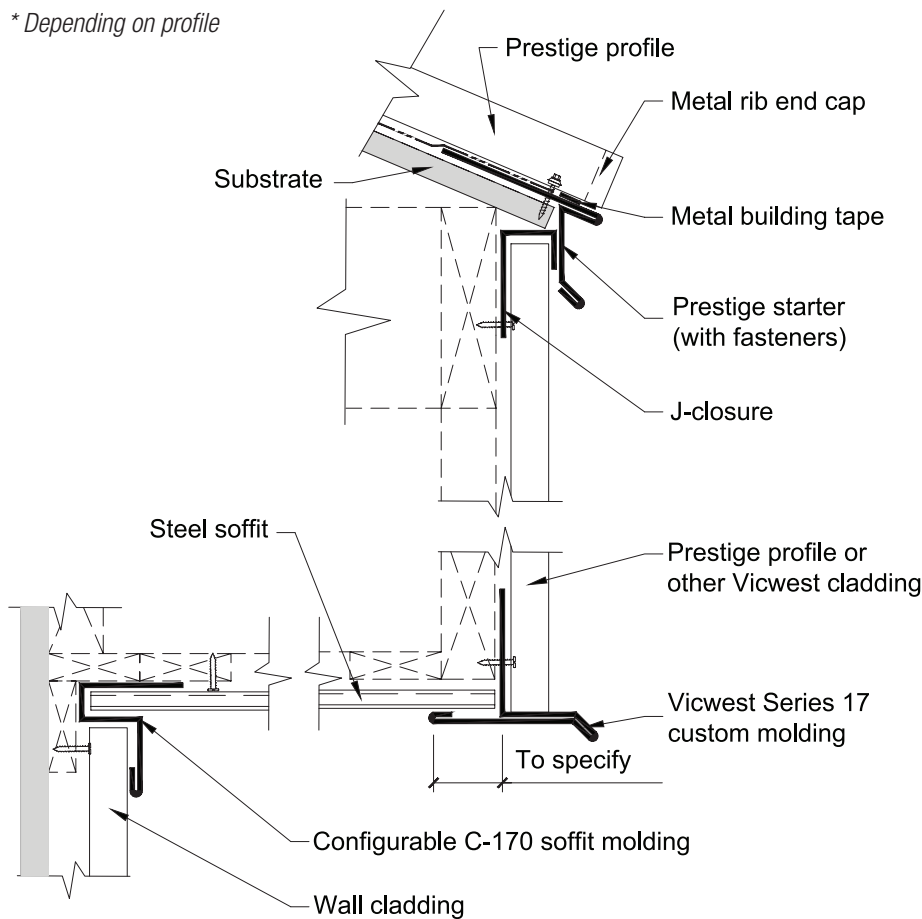
THE RESIDENTIAL METAL ROOFING COLLECTION BY VICWEST

Mansard

Prestige (with Hidden Fasteners)

1. Install a J-molding on the wall (under the base of the roof) with the colour facing inside J molding.
2. Install the roof starter according to the chosen model and installation type. Refer to page 10 to view options of starter detail.
3. Install a Vicwest configurable C-170 soffit molding under the cornice.
4. Install soffit.*
5. Fasten the Vicwest Series 17 custom trim molding and complete the installation.
6. Proceed to install wall cladding as per manufacturer recommendations.

* Depending on profile



THE INSPIRATION SERIES

THE RESIDENTIAL METAL ROOFING COLLECTION BY VICWEST

Dektite® Combo Flashing

For use with hydro masts and vent pipes.

Cut to size, place bead of silicone around metal base from base to ribs or profile and then fasten with skirt flange screws.



- Standard flashing and retrofit flashing all in one
- When retrofit is required just add clips for easy application
- Internal cone design provides 1/2" of continuous contact
- Pipe OD markings clearly shown on cutting groves
- Large base design to improve sealing on high rib metal roof sheets
- 20 Year Warranty

Available in Black

(Grey EPDM & Red Silicone Available by Special Order)

EPDM will withstand constant temperatures at the roofline of -50°C (-122°F) to 115°C (239°F) & up to 150°C (302°F) intermittently.

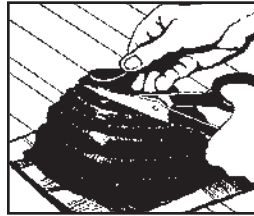
Red Silicone will withstand constant temperatures at the roofline of -50°C (-122°F) to 200°C (392°F) & up to 250°C (482°F) intermittently.

1. When used in retrofit application apply silicone to both seam & underside
2. Limited spacing may occur between clips
3. Fasten clips using multigrips, working from top to base
- 4 Fasten combo base by placing a fastener either side of clips first

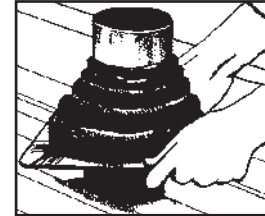
*Always use the neutral base low modulus silicone for sealing

**In corrosive and coastal environments fix blind aluminum rivets

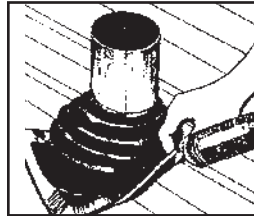
Dektite® Combo Flashing Installation



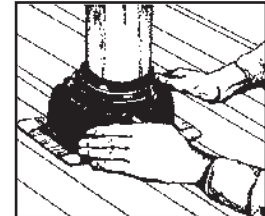
1. TRIM - Cut opening 20% smaller than pipe diameter.



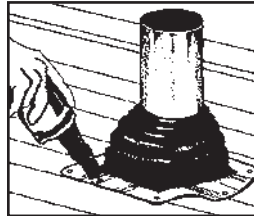
2. SLIDE - Slip Dektite® Combo Flashing over pipe.



3. SEAL - Apply urethane / silicone sealant between Dektite® Combo Flashing and roofing.



4. FORM - Bend aluminum base to fit irregularities. Use large slot screwdriver to press into tight angles.



5. FASTEN - Complete the seal using common weather-resistant fasteners.

CODE	DESCRIPTION	PIPE SIZE METRIC	PIPE SIZE IMPERIAL	ROOF PITCH	BASE MM	INCHES	COLOURS	MAX # OF DC CLIPS (TWINS) REQUIRED
DC103	Dektite® Combo #3	5-127 mm	1/4" - 5"	0-40° or 10/12	216 x 216 mm	8 1/2" x 8 1/2"	Black	4

THE INSPIRATION SERIES

THE RESIDENTIAL METAL ROOFING COLLECTION BY VICWEST

Warranty Registration

Homeowners can register online at www.vicwestwarranty.com

Upon receipt of your registration, Vicwest will forward by email the warranty with certificate number. The homeowner should keep this information in a safe place for future reference or in the event they need to submit a claim or wish to transfer the warranty where applicable.

Disclaimer

It is the sole responsibility of the contractor to ensure installation is completed according to the directions herein, and that all construction by-laws and codes are met. The recommendations in the printed and the video versions of the installation guide are based on Vicwest's continuing program of laboratory testing, product research and comprehensive field experience. Vicwest does not and cannot cover damage of any kind resulting from faulty or improper installation.

In accordance with ongoing efforts to improve our products and their performance, Vicwest Building Products reserves the right to change, without notice, the specifications contained herein.

The contents herein are for general information and illustrative purposes only and are not intended to serve as any type of advice. Every effort is made to ensure the accuracy of the information included in this brochure and it is believed that the information contained herein is accurate and reliable as of the date of publication. Vicwest Building Products, however, does not warrant or represent the accuracy or reliability of any information included in this brochure. Any reliance on any information without consultation with Vicwest Building Products or a duly authorized representative shall be at the user's own risk.

©2018, Vicwest Building Products – All rights reserved
July 2018